



DESCRIPTION:

7KH SURGXFWV DURS W B WFR XGSLYUW LQ
 SDFNDJH 7KH GHYLDQ FLQQVDUWG R(' F
 FRXSOHG WR DQ LQVQH JKLDW HVS HKH GKSK
 , & FKLS , W SURYLGHV JXDUDQWHHG S
 DW WHPSHUDWXU W XS WR VLFDOO\ VP
 FRPSOLDQW ZLWK LQWHUQDWLRQDO V
 LQVXODWLRQ , W WKXV SURYLGHV D V
 IRU DSSOLFDWLRQV WKDW UHTXLUH V
 LQWHUQDO QR LGHHV D LKHOG DSSURMHG FR
 WUDQVLHQW LPPXQLW\LRILGHDO MRU 7
 DQG SRZHU 026)(7 JDWH GULYH 7KH S
 LQ LQGXFVWULDO LQGHUWHUV 026)(7D
 LQGXFWLRQ FRRNWRS DQG KRPH DSSO



J
 QG VSI
 UGV IR
 SULQW
 UG FHU
 *
 ZLGHO

MAIN FEATURES

\$ PD[LPXP SHDN RXWSXW FXUUHQW
 +LJK LVRODWLRQ 9506
 %XIIHU ORJLF W\SH
 2SHUDWLQJ WHPSOHJHWXU WR f &
 5(\$+ 5R+6 FRPSOLDQFH
 +%0 + \$ 00 0 &'0 &
 &4& DSSURYHG
 9'(DSSURYHG
 8/ DSSURYHG

Truth Table

/(' 2))	9& 9(3RVLWLYH	9& 9(*RLQJHJDWLYH	*RLQJ 2XWSXW /RZ
21	9	9	/RZ
21	9 9	9 9	75\$16,7,21
21	9 9	9 9	+, *+7



ABSOLUTE MAXIMUM RATINGS 7HP SHUDWXUH *f &*

/(')RUZDUG &XUUHQW)		
	3HDN)RUZDUG &XUUHQW ₃		7	\$
	5HYHUVH 9ROWDJH	9 ₅		
	3RZHU 'LVVLSDWLRQ	3		P:
'HWHFWRU	2XWSXW 9ROWDJH	2	9	
	6XSSO\ 9ROWDJH	9&&		
	3RZHU 'LVVLSDWLRQ	3&		P:
,VRODWLRQ 9ROWDJH	9LVR		8	9UPV
2SHUDWLQJ 7HP SHUDWXUH	7RSU		a	
-XQFWLRQ 7HP SHUDWXUH	7M			
6WRUDJH 7HP SHUDWXUH	7VWJ		a	
7RWDO 3RZHU 'LVVLSDWLRQ	3WRW			P:
6ROGHULQJ 7HP SHUDWXUH	7VRO			

NOTE1 $i_{ii} \cdot \% \mu o \cdot U_{iii}, i (\text{OE} \langle \mu v \zeta$

NOTE2 $() \text{OE} i u] v \mu \check{s} U Z X, X A \check{d} i \cdot \check{d} i 9$

ELECTRICAL CHARACTERISTICS 7HP SHUDWXUH *f &*

,Q SXW)RUZDUG 9ROWDJH))	P\$,			9
	5HYHUVH &XUUHQW _{,5}	5	9	9			\$
	7HUPLQDO &DSDFLWDQFH	9	10+				S)
2XWSXW	3HDN +LJK OHYHO 2XWSXW &XUUHQW _{,23+}	9 ₂ 9&& 9	3XOVH ZLGWK" V				\$
		9 ₂ 9&& 9	3XOVH ZLGWK" V				\$
	3HDN /RZ OHYHO 2XWSXW &XUUHQW _{,23/}	9 ₂ 9(9	3XOVH ZLGWK" V				\$
		9 ₂ 9(9	3XOVH ZLGWK" V				\$
	+LJK /HYHO 6XSSO\ &XUUHQW _{9&&+})	P\$,			P\$
	/RZ /HYHO 6XSSO\ &XUUHQW _{9&&/})	P\$,			P\$



	+LJK /HYHO 2XWSXW	9ROWD JH9) P\$	9			9
	/RZ /HYHO 2XWSXW	9ROWD JHP\$) P\$	9			9
	7KUHVKROG ,QSXW	9XUHQW	9&& 9 92 U 9	,			P\$
	7KUHVKROG ,QSXW	9ROWD JH	9&& 9 92 Ø 9	9			9
	6XSSO\ 9ROWD JH	9&&					9
	89/2 7KUHVKROG	989/2	92 Ú 9) P\$				9
		989/2	92 Ø 9) P\$				9

SWITCHING SPECIFICATION

	3URSDJDWLRQ 'HOD\ 7LPH WR +LJK 2XWSXW /HYHO	W+	5J &J Q)) : P\$ 9&& 9				
	3URSDJDWLRQ 'HOD\ 7LPH WR /RZ 2XWSXW /HYHO	W4/	5J &J Q)) : P\$ 9&& 9				
	3URSDJDWLRQ 'HOD\ 'LIIHUHQFH %HWZHHQ \$Q\ 7ZR 3DUW	W4/ 3W	5J &J Q)) 8: P\$ 9&& 9				QV
	2XWSXW 5LVH 7LPH	WR	5J &J Q)) : P\$ 9&& 9				
	2XWSXW)DOO 7LPH	WR	5J &J Q)) : P\$ 9&& 9				
	&RPPRQ 0RGH 7UDQVLHQW ,PPXQLW\ DW +LJK /HYHO 2XWSXW	80) P\$ 9&& 9 7D 92 PLQ 9&0 9SS			"	N9 V



&RPPRQ 0RGH 7UDQVLHQW ,PPXQLW\ DW /RZ /HYHO 2XWSXW	9&& 9 7D 92 PD[9 9&0 9SS	“			N9 V
---	------------------------------------	---	--	--	------

o o dÇ%] o Àîõµ • š d

Note1W /v%µš •]Pv o ~(Aîñl, ÌU µšÇAñ]i•9 b š•CEšAZš (vA ññv •%o) CE ÁoZ }•Z X]v
%oCE} v •šCE Ç Á]CE]vP %o]š v X

Note2W ,D]• šZ u Æ]uµu CE š } ((oo } (šZ }uu}v uµ •š Āyoš Ā]š Z
šZ }µš%µš Ā}oš P]v šZ Úá]Pš]XZ]PZ •š š ~sK

Note3W D>]• šZ u Æ]uµu CE š } (CE]• } (ššZ v }u uµvš u]v Ā]š
šZ }µš%µš Ā}oš P]v šZ Øóš]P] o}Á •š š ~sK

Recommended Operating Conditions^{7 8}

,QSXW 2Q VWDWH,) &X U UHQW				P \$
,QSXW 2II VWDWH ,9R,OWDJH	9			
6XSSO\ 9ROWDJH 9&&				9
2SHUDWLQJ)UHTXHQFV				N+]

Note1W dZ CE }uu v }%o CE š]vP }v]š]}v] CE P]•À CE Ç •š} } š]Pw
]vš v %o CE (}CE u v } (šZ Ā] X Zv %ov CE Āu ošµ CE]z w]CE %o
•Ç •š u •]Pv µ•]vP ššZ]•o Ā]CE]U o Z•CE]š]CE]š]šZ]š •ž}µo o•
}v•] CE X

Note2W CE u] %o]š}CE ~iXí... &• •Z}µo s }vvv š%o]v ščÁ ~VE %o]š
•š]o] šZ }%o CE B]]v p[]v ZCEP Zur%o o] (] CE X KšZ CE Á]• U šZ]• %o Z
%o CE }%o CE oÇ X dZ Ç] %o•• %o]š} CE]šZ]Z í%o]v X (

Note3W dZ CE]• v (oo š]u • } (šZ]v%µšZ}vri]X CE CE •vš •Z}µo

Note4W /(šZ CE]•]vP •o}%o } (šZ (}PE%šZ o Ç Ā}oš} CE]•s•š %o U •š o
]vš CE v o]CE µ]š • všv}š PµCE š} • š ĩ sl... • }CE o•• X}CE CE]•

Note5W v}š • šZ }%o CE]š]šZ CE v P] u u v }%o]CE]š]X P }

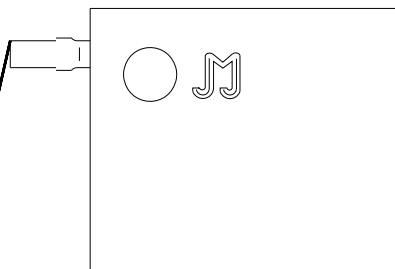


ORDERING INFORMATION

-LH-LH 0LFURHOHF	2 &	'	\$	\$	%
FWURQLFV &R /WG				1 RQH 7	
				5 7	
2SWR &RXSOHU				6 2 3	
'ULYHU				% 1,70 P\$	
+LJK VLGH 3026			89/2 9		
			7 506 \$		

Packing Quantity	
Option	Quantity
E } v IZ	ïïï hv]š • IZ o

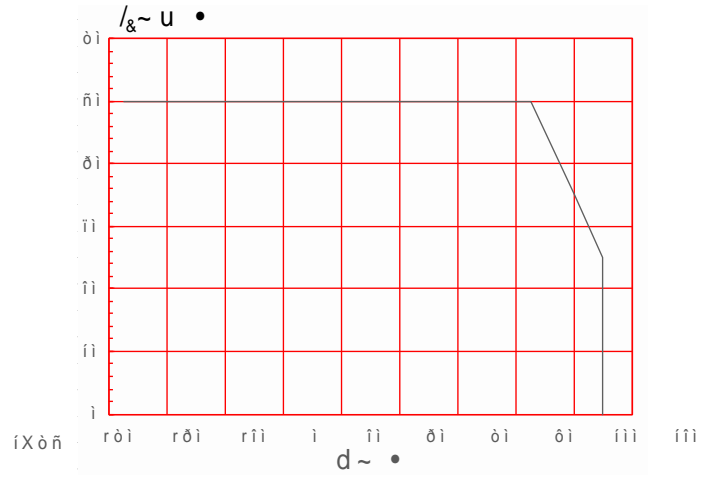
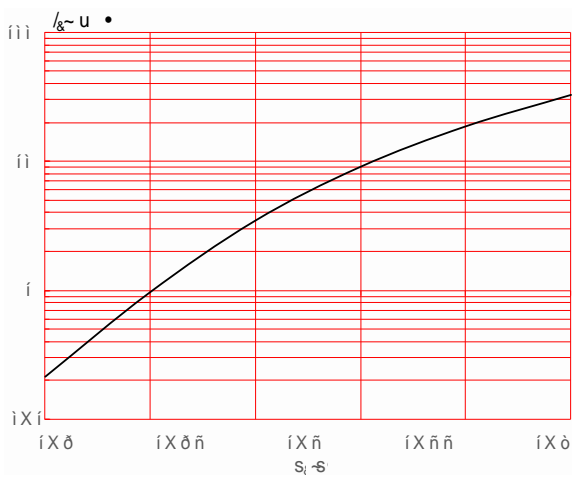
MARKING



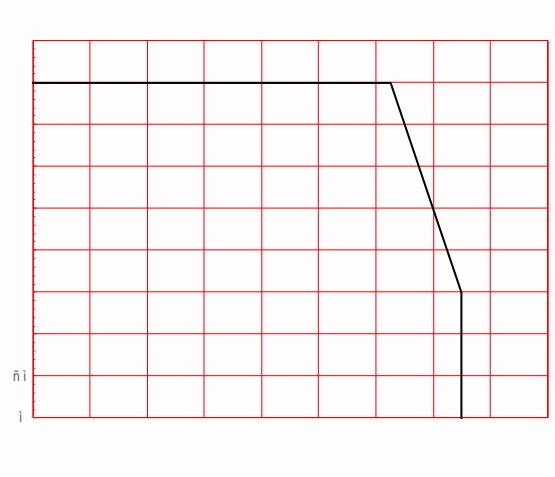


Characteristics Curves

)RUZDUG &XUUHQW YV)RUZDUG 900WDSORZDEOH /(')RUZDUG YV \$PELHQW 7HPSHUDWXUH

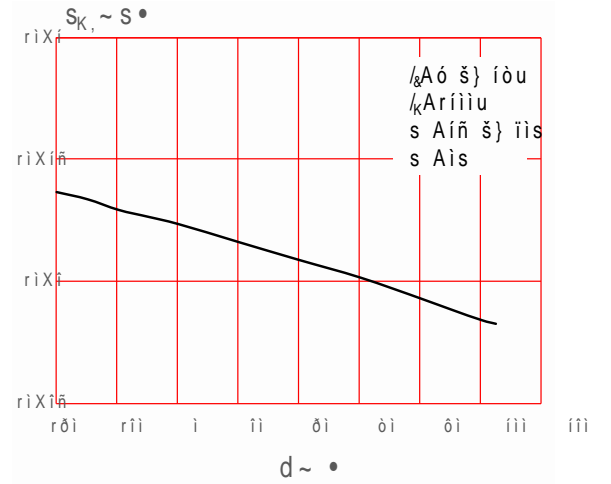
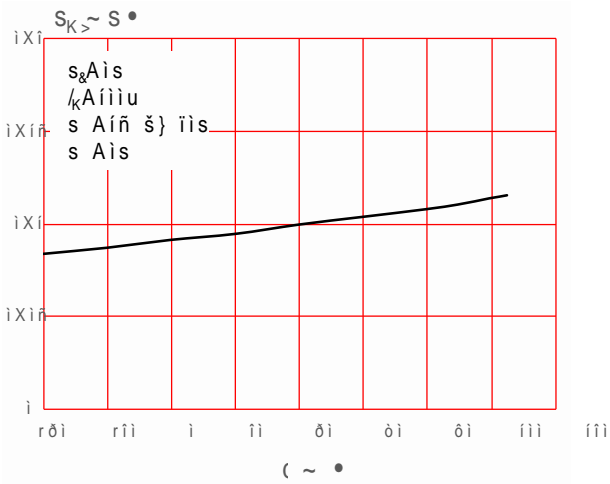


&ROOHFWRU 3RZHU 'LVVLSWLRQ YV KUPHUKROW ,QSXW &XUUHQW 7HPSHUDWXUH





/RZ OHYHO 2WWSXW 9RSDPELHQW +LJK OHYHOR 2XWDSXWY 9 \$PELHQW 7HPSHUDWXUH



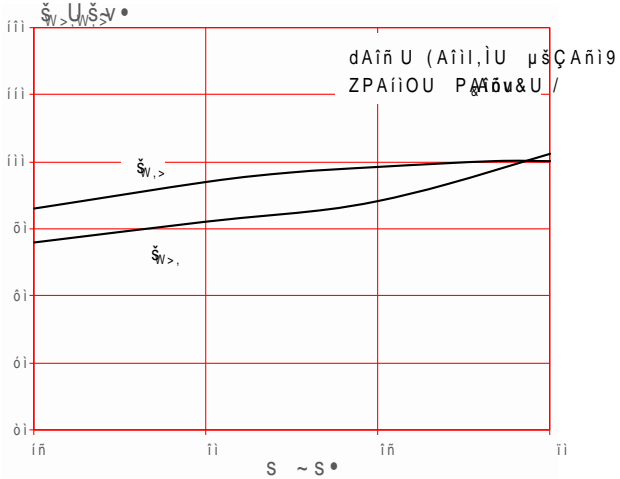
3HDN /RZ OHYHO 2XWSXW &XUUHQW+YVK/ 2XWDSXW 9ROWD OHYHO 2XWSXW 9ROWDJH \$PELHQW 7HPSHUDWXUH





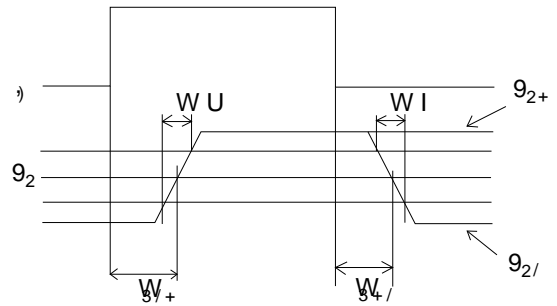
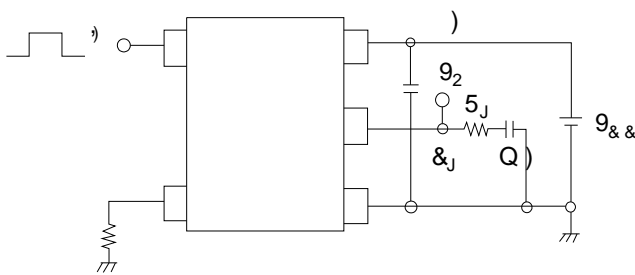
3URSDJDWLRQ 'HOD\ 7LPH YV 6XSSO\

9ROWDJH

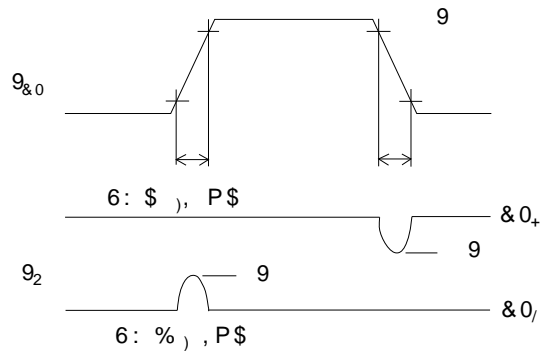
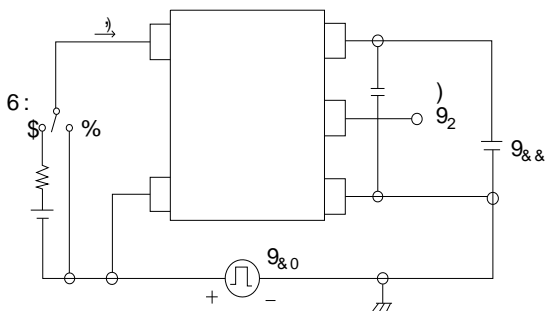


Test Circuits

6ZLWFKLQJ 7LPH XLEHW V&G :DYHIRUP

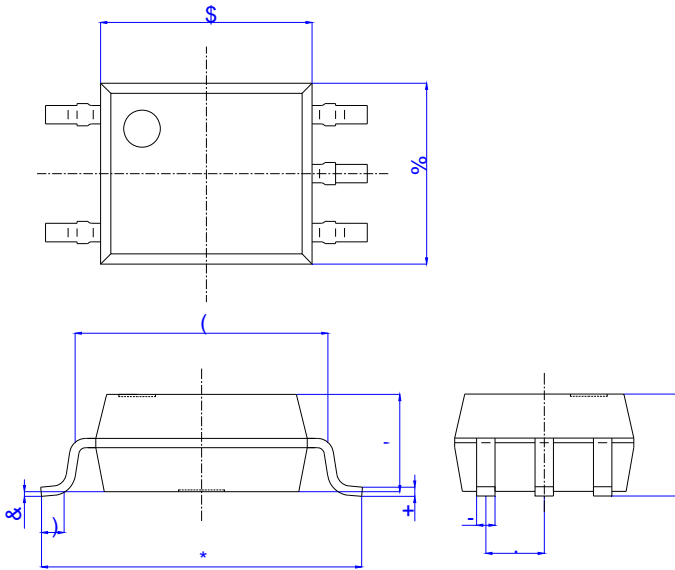


&RPPRQ 0RGH 7UDQVLHQW , P&X&LWV DQG :DYHIRUP



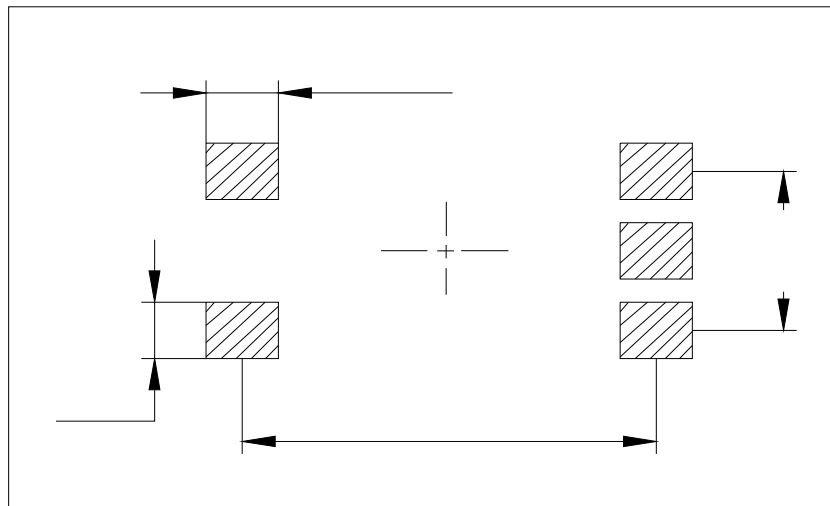


Package Dimension (Unit: mm)



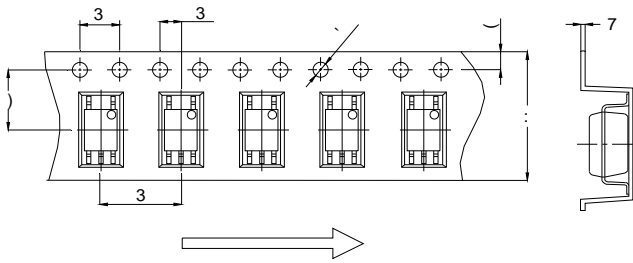
5HI	'LPHQVLRQV					
	0LOOLPHWHUV			,QFKHV		
	0LQ	7\S	0D[0LQ	7\S	0D[
\$						
%						
&						
'						
(
)						
*						
+						
,						
-						
.						

RECOMMENDED SOLDER MASK (Dimensions in mm unless otherwise stated)

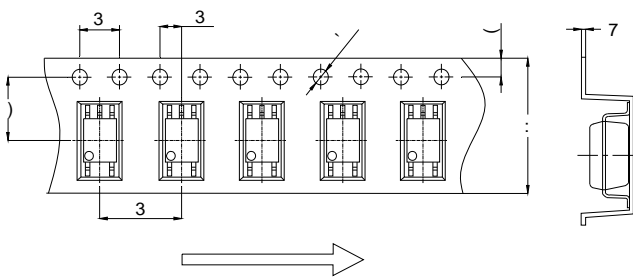




CARRIER TAPE SPECIFICATIONS (Dimensions in mm unless otherwise stated)



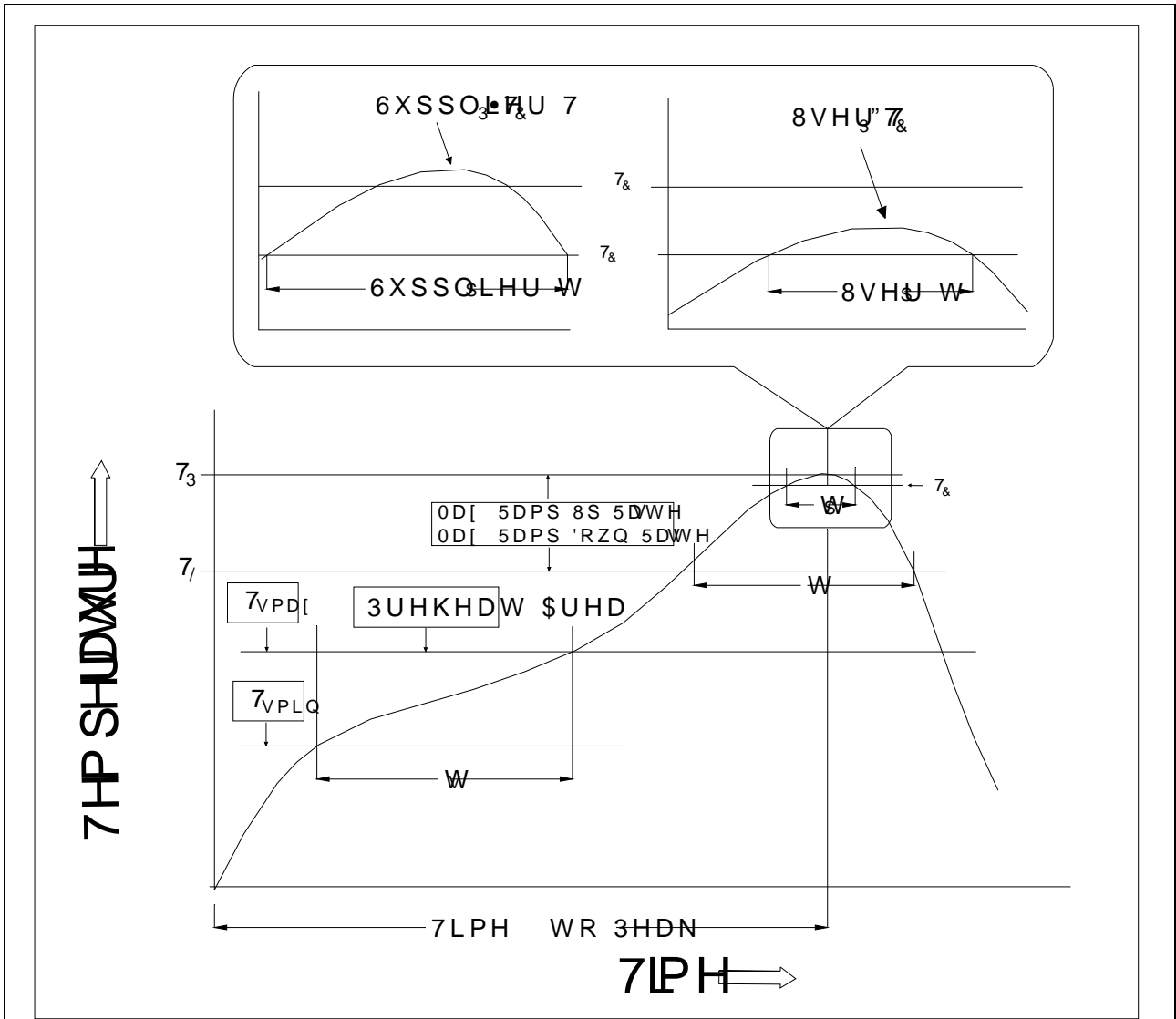
5HI	'LPHQVLRQV					
	0LOOLPHWHUV					
	0LQ	7\S	0D[0LQ	7\S	0D[
'						
3						
3						
3						
(
)						
7						
:						



5HI	'LPHQVLRQV					
	0LOOLPHWHUV					
	0LQ	7\S	0D[0LQ	7\S	0D[
'						
3						
3						
3						
(
)						
7						
:						



REFLOW INFORMATION



7HP SHUDWXUH		
7HP SHUDWXUH 0LQ	7VPLQ	
7HP SHUDWXUH 0D[7VPD[
7LPH WV IURP 7VPLQ WR 7VPD[VHFRQG V
5DPS XS 5DWH W/ WR W		VHFRQG PD[
/LTXLGXV 7HP SHUDWXUH 7/		
7LPH W/ 0DLQWDLQH \$ERYH 7/		VHFRQG V
3HDN %RG\ 3DFNDJH	7HP SHUDWXUH	
7LPH W3 ZLWKLQ		VHFRQG V
5DPS GRZQ 5DWH 73 WR W		VHFRQG PD[
7LPH WR 3HDN 7HP SHUDWXUH		PLQXW HV PD[



1RWH

5HIORZ VROGHULQJ LV UHFRPPHQGHG/ DWRZKH QHPSHWDWWDQW DQW D
\$YRLG GLUHFV FRQVHDVSRPHQZDQWXRUDFRU H[FHHGLQJ LWV PD
VWRUDJH WHPSHUDWXUH

\$SSOLFDWLRQ RKHUSRYXENRQLWLSOHGDDWHG WHPSHUDWXUHV ,QV
VFHQDULRV DQHPSVOLGRWRHFFHHG 1

(QVXUH WKH FRPSRQHGW KDV FRROHG SURPHQVHQDQWZLXPSWHDXHCL
PDQXIDFWXULQJ VWHSV

7KH FRPSRQHGW KDM BQKHHDLOZKHQVWDQGHGKFBQGLWLRQV


5HFRPPHQG VWRUDJH 7HPS a f&

5HFRPPHQG VWRUDJH KXPLGLW\

06/ OHYHO 06/

,QIRUPDWLRQ IXUQXFKHQ/ LQ WKOLHGRHG WR EH DFFXUDWH D
-LDQJVVX -LH-LH 0LRRHOWHFDVROXLFHVQLRVUHRUSRQHLERQVHT
RI XVH ZLWKRXW FRQVLGHUDWLRQ IRG MWFKQIQURPDVWRQRQ
LQ WKLV GRFXPHQVLDQJYXZLWHFRXWRQRWLFH DSDUW IURP V
VLJQHG -LDQJVVXOLHVLZLFRKPWKH DJUHHPHQW

3URGXFVW DQG LQIRUPDWLRQ SURYLGHG LQPHQWVRGSDXPH
-LDQJVVX -LH-LH DVVXIPHLOQW\URVSDQVLQIUHQJHPPHQW RI RW
ZKLFK PD\ UHVXOW IURP WKH XVH RI VXLK SURFXPHQW DQGS HL
DQG UHSODFHV DOO LQIRUPDWLRQ SUHYLRXVO\ VXSSOLHG

 LV D UHJLVWHUHGDQWJDXGLPHDUNRUFURHOWHFWURQLFV &R
&RS\ULJKW -LDQJVVX -LH-LH CLVRRHOWHFWUSFOOLHG LJKWV UHVH