

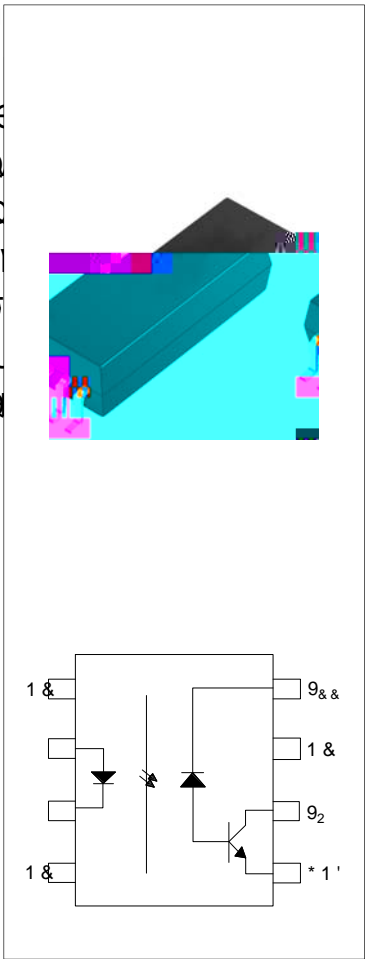


JOCHA21B-W8

Rev.A.1.0

DESCRIPTION:

7KH SURGXFWV DUHHG %S VKR JKR XS Ø HU
LV D VPDOO RXWOLHQ HRERXS Ø IHUF HV XIRVX
,W FRQVLVWV RI D KLJK RXWSXW SRØE
WR D KLJK VSHHG SIKRWRG IFRG S WWDLQ
SODVWLF :623 DQG JXHDUSSDQW HGLW V DFC
D FOHDUDQFH RI • P W IDROG VDIQLE Ø Ø Ø
7KHUHIRUH LW PHHGV LQVXO DMLRQRERG
RI LQWHUQDWLRQDO VDIHW\ VWDQGDUG
LQ SURJUDPPDEOH XFRVLDO DQYHUWEG
SRZHU VXSSOLHV



MAIN FEATURES

- +LJK LVRODWLRQ 9506
&7,! 9
2SHUDWLQJ WHPSHUJHWXU WR f &
5(\$&+ 5R+6 FRPSOLDQFH
+%0 + \$ 00 0 &'0 &
&4& DSSURYHG
9'( DSSURYHG
8/ DSSURYHG

Truth Table

Table with 2 columns and 3 rows showing logic states for inputs and outputs.

ABSOLUTE MAXIMUM RATINGS 7HP SHUDWXUH f &

Table with 4 columns: Parameter, Symbol, Value, Unit. Lists various electrical and thermal ratings.

	2XWSXW & XUUHQW	,2		
	2XWSXW 3RZHU 'LVVLSDWLRQ		3	P:
7RWDO 3RZHU 'LVVLSDWLRQ		3WRW		P:
,VRODWLRQ 9ROWDJH		9LVR	8	9UPV
2SHUDWLQJ 7HPSHUDWXUH		7RSU	a	
-XQFWLRQ 7HPSHUDWXUH		7M		
6WRUDJH 7HPSHUDWXUH		7VWJ	a	
6ROGHULQJ 7HPSHUDWXUH		7VRO		

NOTE1  $i_i \cdot \% \mu o \cdot U i_i, i ( \text{OE} \langle \mu v \zeta$

NOTE2  $( ) \text{OE} i_u ] v \mu \checkmark U ZX, XA \check{d} i \cdot \check{d} i 9$

ELECTRICAL CHARACTERISTICS 7HPSHUDWXUH  $f \&$

Parameter	Symbol	Condition	Min.	Typ.	Max.	Unit
,QSXW	)RUZDUG 9ROWDJH	,) 9 P\$				9
	5HYHUVH & XUUHQW	95, 9				\$
	,QSXW & DSDFLWDQFH	9 1 & 0+]				S)
2XWSXW	& XUUHQW WUDQVIHU UDWLR	P\$ & 9 &75 92 9				
	+LJK /HYHO & XUUHQW	,) P\$ & 9 92 9 ,) P\$ & 9 92 9				Q\$ \$
	/RZ /HYHO & XUUHQW	92 2SHQ ,& 9 ,) P\$				P\$
	+LJK /HYHO & XUUHQW	92 2SHQ ,& 9 ,) P\$				\$
	/RJLF /RZ 9ROWDJH	,) P\$ 2, P\$ 92/ 9& 9				9
	,VRODWLRQ 5HVLVWDQFH	5,62 ' & 9 a 5 +				
	)ORDWLQJ & DSDFLWDQFH	&,2 9 1 0+]				S)
	6ZLWFKLQJ & KDUDFW	3URSDJDWLRQ 'HOD\ 7LPH WR /RJLF /RZ	,) P\$ 5, N 9& 9			
HULVWLFV 3URSDJDWLRQ 'HOD\ 7LPH WR /RJLF +LJK		,) P\$ 5, N 9& 9				V

&RPPRQ 0RGH ) P\$  
7UDQVLHQW 9&0 9SS  
,PPXQLW\ DW /RJLF 5/  
+LJK

Characteristics Curve

FIG.1: )RUZDUG & XUUHQW YV

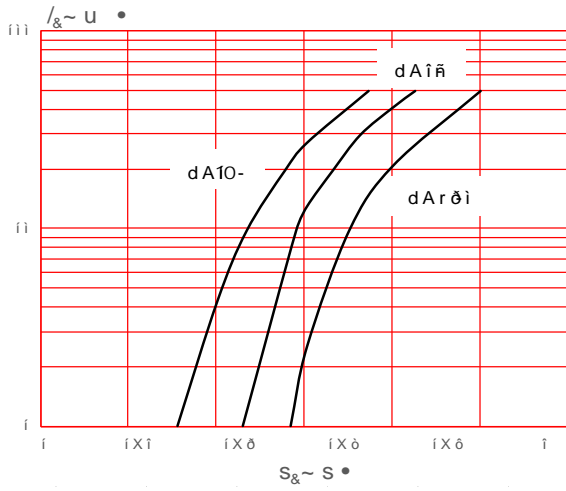


FIG.2: 9RLQW D#H#HO 2XWSXW & XUUHQW 7HPSHUDWXUH

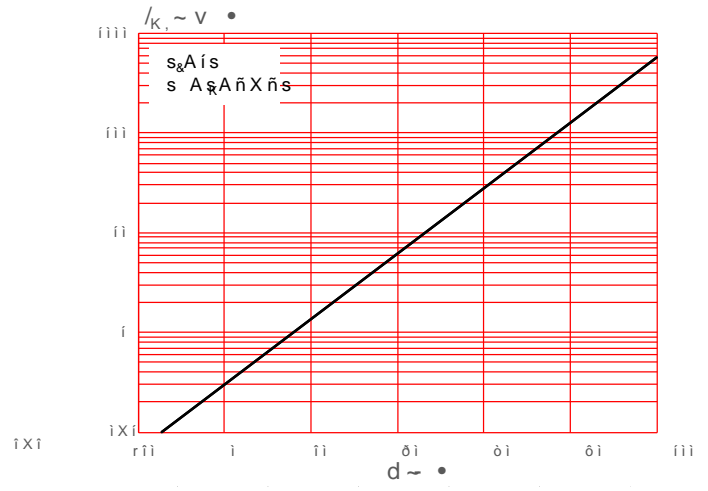


FIG.3: 2XWSXW & XUUHQW YV

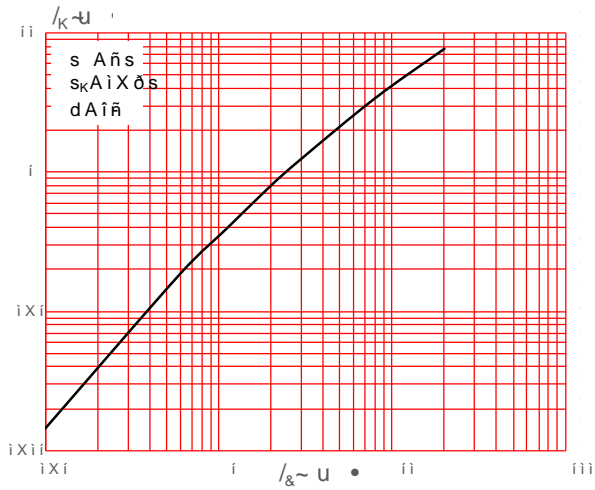


FIG.4: XUUHQW 7UDQVIHU 5DWLR Y & XUUHQW

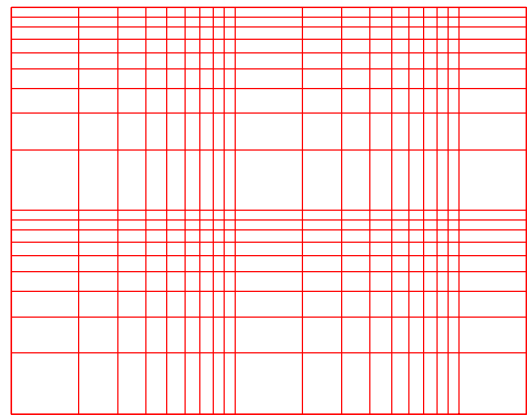


FIG.7: /RZ /HYHO 2XWDSJHWY9/RQ \$PELHQW  
7HPSHUDWXUH

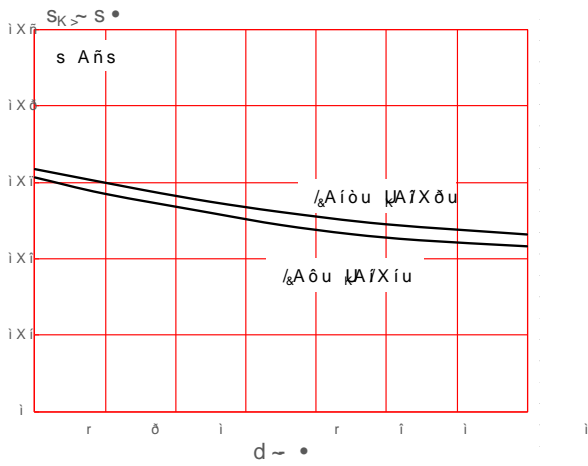


FIG.8: 3URSDJDWLRQ 'HOD\ YV /RDG  
5HVLVWDQFH

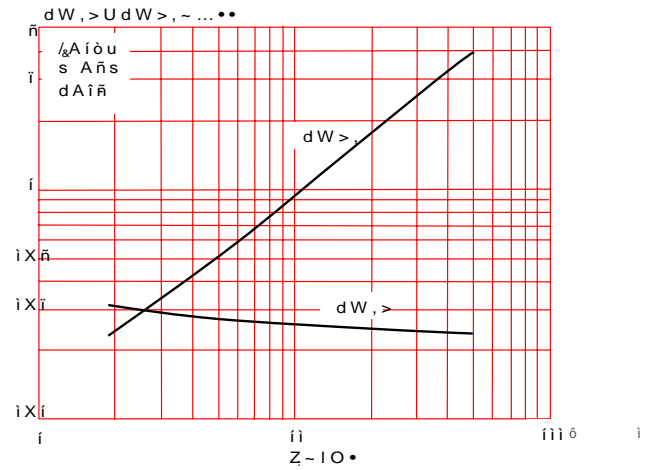
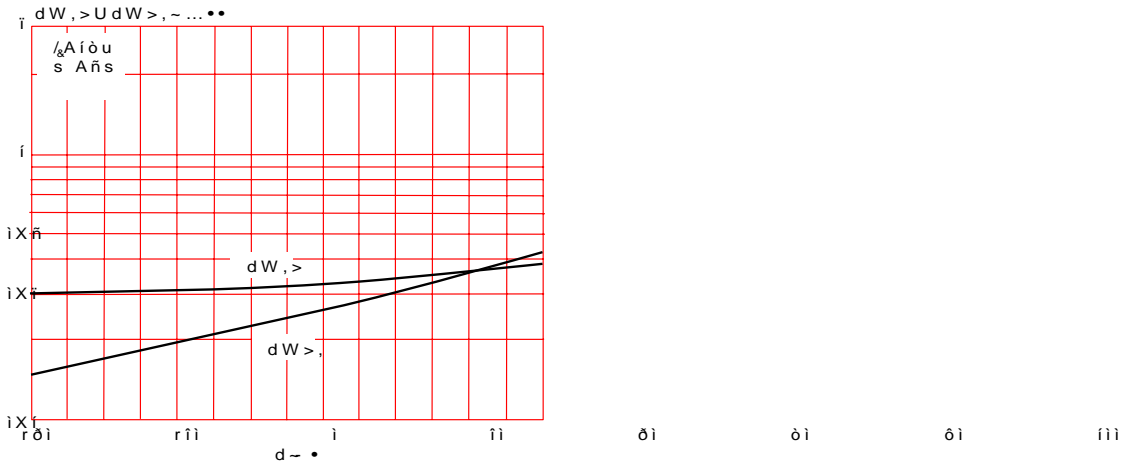


FIG.9: 3URSDJDWLRQ 'HOD\ YV \$PELHQW  
7HPSHUDWXUH



TEST CIRCUITS

Fig.10: Test Circuit of tPHL, tPLH

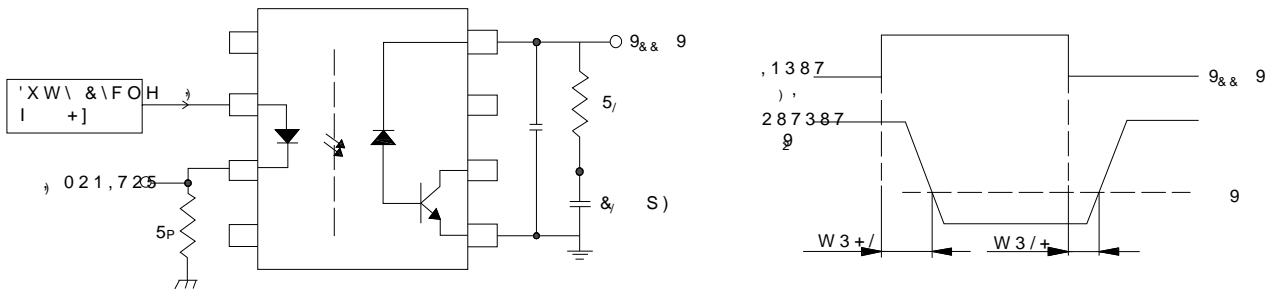
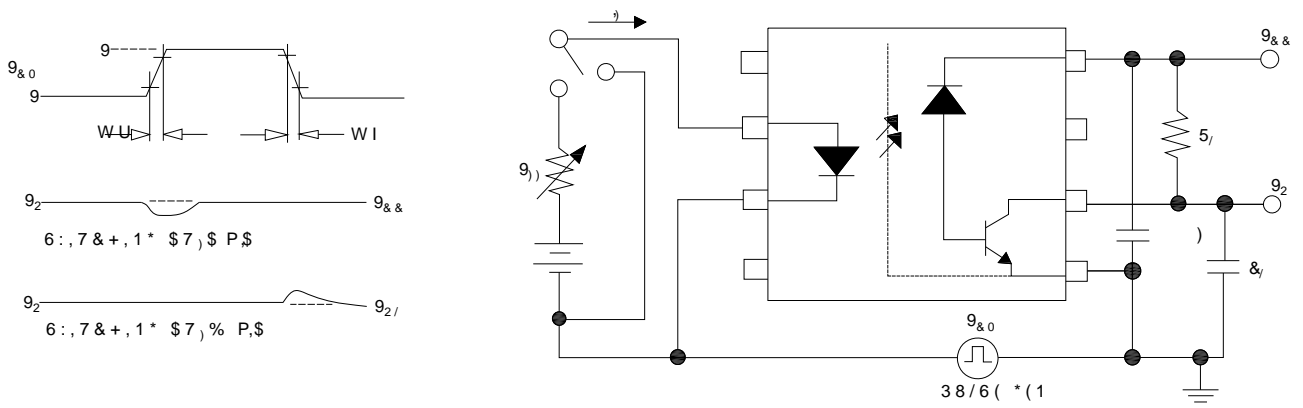
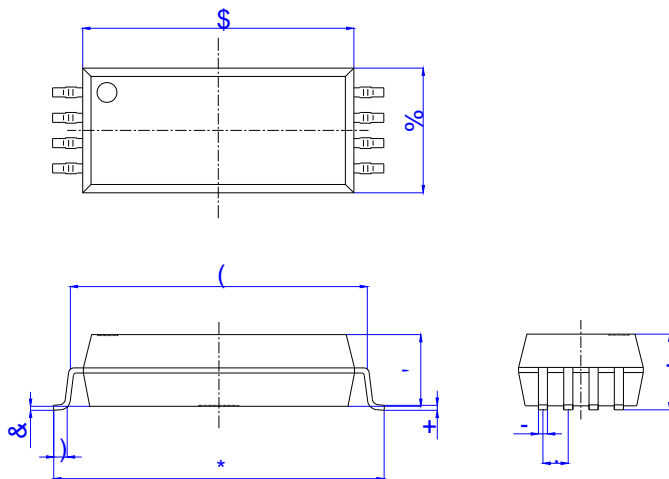


Fig.11: Test Circuit for Transient Immunity and Typical Waveforms

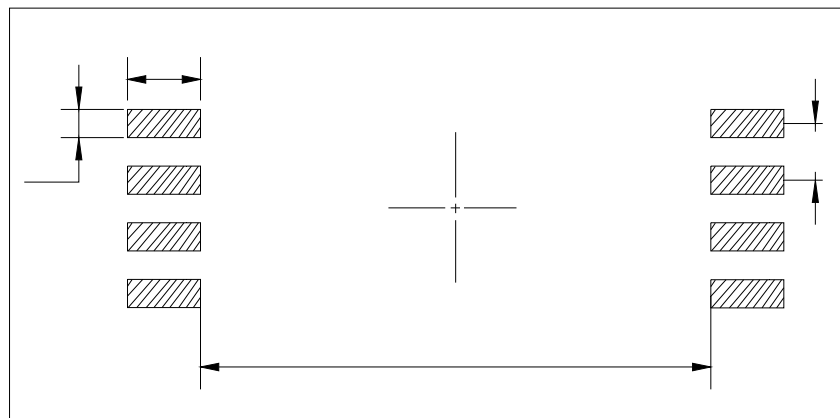


Package Dimension (Unit: mm)

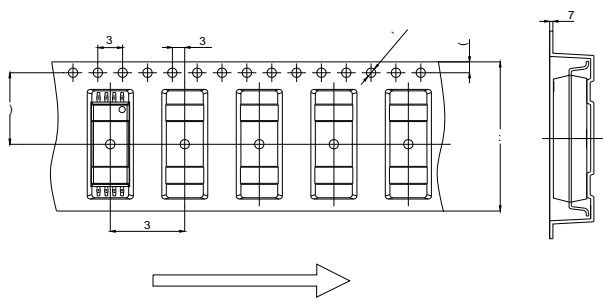


5 HI	'LPHQVLRQV					
	0LOOLPHWHUV			,QFKHV		
	0LQ	7\ S	0D[	0LQ	7\ S	0D[
\$						
%						
&						
'						
(						
)						
*						
+						
,						
-						
.						

RECOMMENDED SOLDER MASK (Dimensions in mm unless otherwise stated)

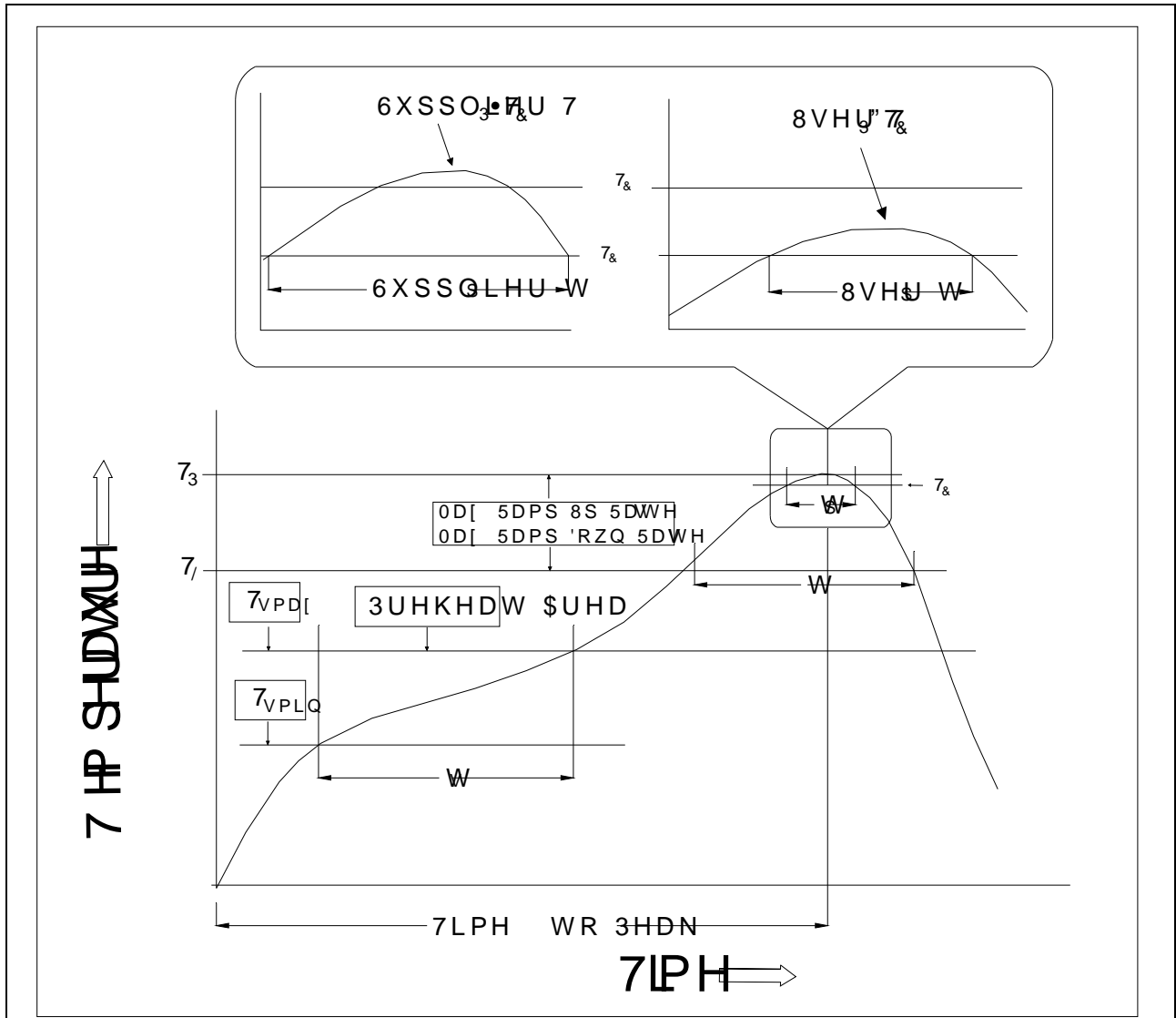


CARRIER TAPE SPECIFICATIONS (Dimensions in mm unless otherwise stated)



5 HI	'LPHQVLRQV					
	0LOOLPHWHUV			,QFKHV		
	0LQ	7\ S	0D[	0LQ	7\ S	0D[
'						
3						
3						
3						
(						
)						
7						
:						

REFLOW INFORMATION



Profile Feature	Sn-Pb Assembly Profile	Pb-Free Assembly Profile
7HP SHUDWXUH 0LQ	7VPLQ	
7HP SHUDWXUH 0D[	7VPD[	
7LPH WV IURP 7VPLQ WR 7VPD[		VHFRQGV
5DPS XS 5DWH W/ WR W	VHFRQG PD[	VHFRQG PD[
/LTXLGXV 7HP SHUDWXUH 7/		
7LPH W/ 0DLQWDLQH \$ERYH 7/		VHFRQGV
3HDN %RG\ 3DFNDJH	7HP SHUDWXUH	
7LPH W3 ZLWKLQ		VHFRQGV
5DPS GRZQ 5DWH 73 WR W	VHFRQG PD[	VHFRQG PD[
7LPH WR 3HDN 7HP SHUDWXUH		PLQXW HV PD[

1RWH

5HIORZ VROGHULQJ LV UHFRPPHQGHG/ DWRZKH QHPSHWDWWDQW DQW D  
\$YRLG GLUHFV FRQVHDVSRPHQZDQWXRUDFRU H[FHHGLQJ LWV PD  
VWRUDJH WHPSHUDWXUH

\$SSOLFDWLRQ RKHUSRYXENRQLVLSOHGDDWHG WHPSHUDWXUHV ,QV  
VFHQDULRV DQHPSVOLHQWRHFFHHG 1

(QVXUH WKH FRPSRQHQW KDV FRROHG SURPHHQDQWZLXPSWHDXHQL  
PDQXIDFWXULQJ VWHSV

7KH FRPSRQHQW KDV BQKHODUZKHQVWDQGHGKFRQGLWLRQV


5HFRPPHQG VWRUDJH 7HPS a f&

5HFRPPHQG VWRUDJH KXPLGLW\

06/ OHYHO 06/

,QIRUPDWLRQ IXUQXPHQW ILQVWKOLHGRHG WR EH DFFXUDWH D  
-LDQJVVX -LH-LH 0LRRHOWHGWDVROLFFHVQLRVUHRUSRQHLERQVHT  
RI XVH ZLWKRXW FRQVLGHUDWLRQ IRG MWFKQIQURPDVWRQRQ  
LQ WKLV GRFXPHQW DQJYXZLWHFRXWRQRWLFH DSDUW IURP V  
VLJQHGH -LDQJVVXOLHVLZILWRKPWKH DJUHHPHQW

3URGXFVWV DQG LQIRUPDWLRQ SURYLGHG LQJHQWVVRGFSFXPH  
-LDQJVVX -LH-LH DVVXIPHLQDQW\URVSDQVQLQIULQJHPPHQW RI RW  
ZKLFK PD\ UHVXOW IURP WKH XVH RI VXLK SURFXPHQW DQGS HL  
DQG UHSODFHV DOO LQIRUPDWLRQ SUHYLRXVO\ VXSSOLHG

 LV D UHJLVWHUHGDQWJDXGLPHUNRUF-URHOWHG WURQLFV & R  
&RS\UKJKW -LDQJVVX -LH-LH GLFURHOWHFGVUSQDHLGLJKWV UHVH